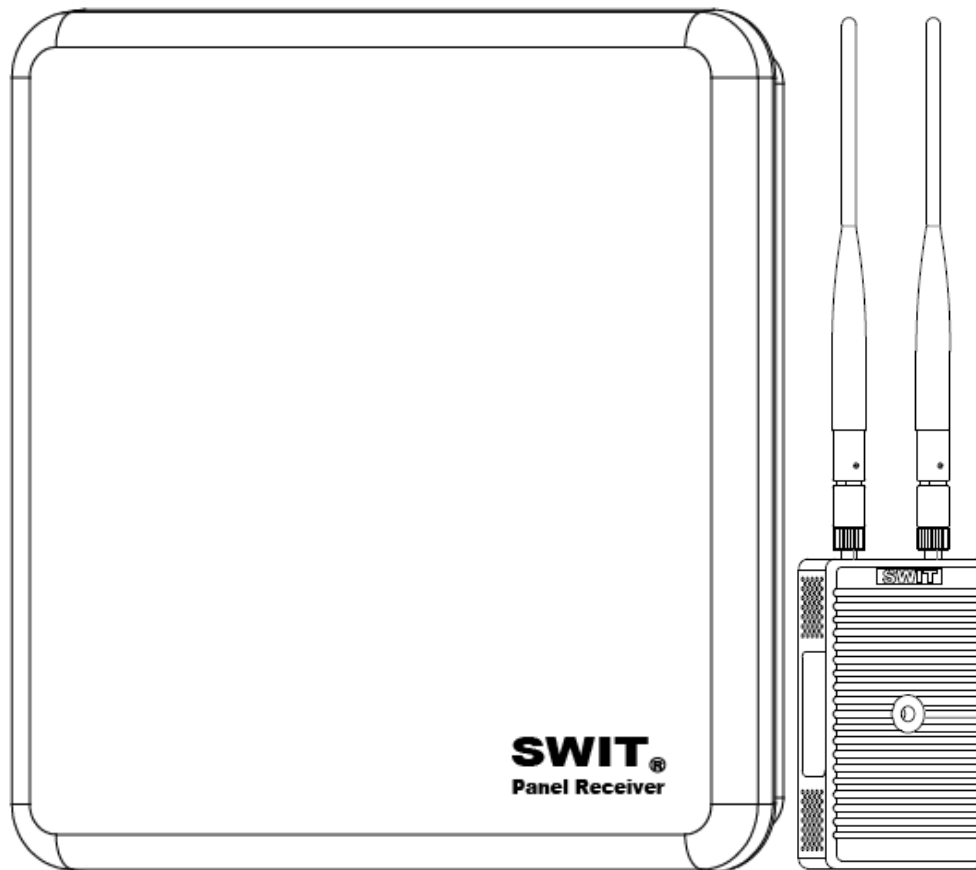


SWIT[®]

SWIT ELECTRONICS CO., LTD

Model: S-4914P

Wireless HD Transmission System (with Panel Receiver)



User Manual

Ver:A

Please read this User Manual
throughout before using

Preface

1. All internal technologies of this product are protected, including device, software and trademark. Reproduction in whole or in part without written permission is prohibited.
2. All brands and trademarks of SWIT Electronics Co., Ltd. are protected and other relative trademarks in this user manual are the property of their respective owners.
3. Due to constant effort of product development, SWIT reserves the right to make changes and improvements to the product described in this manual without prior notice.
4. The warranty period of this product is 2 years, and does not cover the following:
 - (1) Physical damage to the products;
 - (2) Any damage or breakdown caused by use, maintenance, or storage not according to the user manual's instructions;
 - (3) The attenuation of signal quality resulting from being used in any special environments;
 - (4) Any damage caused by not powering the product by package supplied power adaptor.
 - (5) Any damage or breakdown not caused by the product's design, workmanship, or manufacturing quality, etc.
5. For any suggestions and requirements on this product, please contact us through phone, fax, Email, etc.

SWIT Electronics Co., Ltd.

Address: 10 Hengtong Road, Nanjing Economic and Technological Development Zone,
Nanjing 210038, P.R.China

Phone: +86-25-85805753

Fax: +86-25-85805296

Email: contact@swit.cc

Website: <http://www.swit.cc>

For Your Safety

Before start, please follow the safety precautions below

Do not try the followings:

1. Unauthorized repairs or parts replacement or other operations.
2. Inappropriate placement including but not limited to lighting, fire, exposure to rain, water or gas.
3. Switch to the power not in the voltage allowable range.



Warning

- Do not get any liquid inside the product.
- Do not block the ventilation openings or get substances inside, in order to avoid short circuit, fire or electric shock.
- Do not soak the product into water to avoid electric shock or fire.
- Make sure the protection work on the rainy day.
- Do not reverse the receiver to get the best transmission effect.



Danger

- Switch the power off before connecting other devices.
- Power socket: Make sure the power socket under the voltage range of the product to avoid short circuit, electric shock and fire.
- Power cable: Make sure the power cable is not pressed or tightened by any items or weights.
- Power Load: Do not exceed the load on the wall outlet, extension cable or other porous receptacle to avoid fire or electric shock.
- Lighting: Disconnect the power cable if it is lighting or not using in a lperiod of time.

Working environment

- Please don't lay the product on any unstable place to avoid fallen damage
- Please don't use the product in a place overheating, undercooling or with lots of moisture, or near by strong magnetic devices.
- Please don't lay the product on metal shelf, in order to ensure the effective wireless transmission.

Contents

Preface	1
Safety Precautions	2
Contents	3
Packing list	3
Product Introduction	4
Features	4
Product Instruction	5
Transmitter S-4914T	5
Receiver S-4990	6
Frequency	7
Build Connection	8
Optional battery plate	8
Accessory	9
Trouble shooting	10
Specification	10

Packing list

The wireless system offers three kinds of package for option, each includes:

Super Luxury package	Luxury package	Standard package
1、 S-4914P	1、 S-4914P	1、 S-4990
2、 S-7200	2、 S-7200	2、 S-7200
3、 Antenna*3	3、 Antenna*3	3、 D-TAP to LEMO cable
4、 D-TAP to LEMO cable	4、 D-TAP to LEMO cable	4、 Carrying case
5、 S-7140	5、 S-7140	5、 Warranty card
6、 Articulating arm trestle	6、 Articulating arm trestle	
7、 Carbon fiber monopod	7、 Carrying case	
8、 Flat screwdriver	8、 Flat screwdriver	
9 、 Monopod installation module	9、 Warranty card	
10、 Carrying case		
11、 Warranty card		

Note: The system is equipped with two antennas, the other one is for spare.

Product introduction

This broadcast industry wireless system includes S-4914T transmitter and S-4990 receiver, adopts WHDI (OFDM) technology, supports uncompressed 3G/HD/SD-SDI and HDMI wirelessly transmitted in 1000 meters scale, and with less than 1ms latency, which is widely used in on-site shooting and director monitoring.

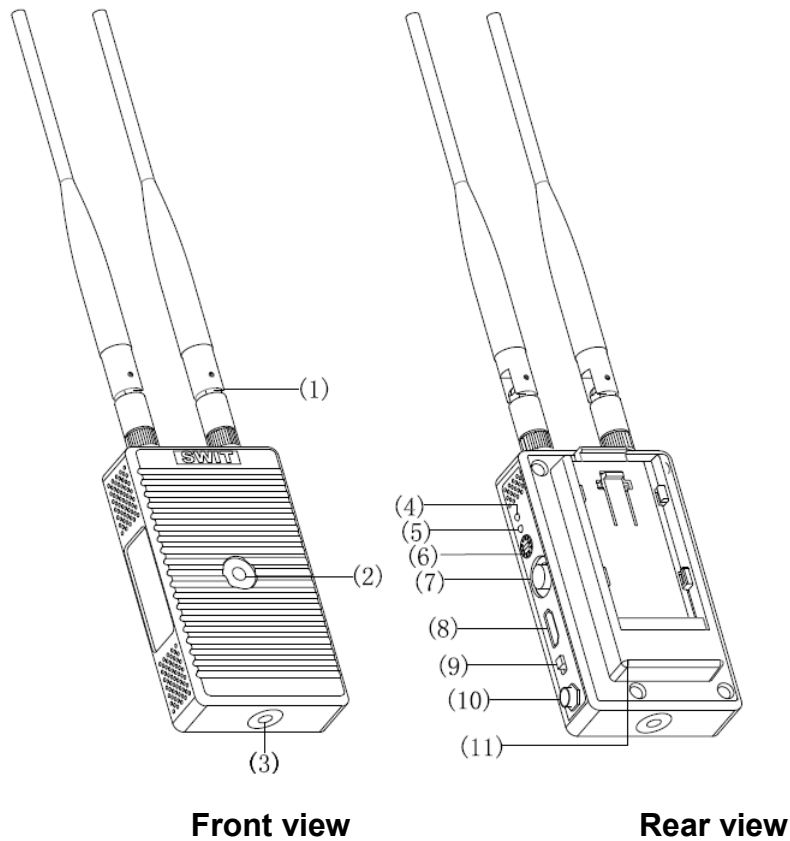
Features

- ◆ **Uncompressed 3G/HD/SD-SDI and HDMI transmission**
Support up to 1080p 50/60 uncompressed SDI & HDMI wireless transmission
- ◆ **1000 meters transmission distance**
In open outdoor area, the effective transmission distance is approx 1000 meters.
- ◆ **Less than 1ms latency**
There's no discernible video delay and you can use it as real time on-location monitoring.
- ◆ **License free operation frequency**
The wireless frequency is 5.1-5.9GHz, license free operated.
- ◆ **Frequency channel selection**
Adopt buttons to select frequency channel and digital tube to display, easier to operate.
- ◆ **Multicast support**
Support one transmitter to multi receivers. User can set frequency to pair the transmitter and receivers.
- ◆ **Battery plate optional**
User can choose various standard DV battery plates for S-4914T transmitter.
- ◆ **All-Metal Shell**
Both the transmitter and receiver adopt metal shell which is durable and solid.
- ◆ **Simple connection**
The wireless system is plug-and-play designed, without any software connection and configuration.

Remark:

1. The transmission distance may be different, and depend on surroundings, radio wave conditions, buildings, etc., the 1000 meters transmission distance may be not guaranteed.
2. The wireless transmission might be interrupt if there're many other devices of 5GHz wireless bandwidth operated in the in the same location.
3. Signal reception may be affected by the position, height and angle of devices. If reception video is not stable, please physically adjust placement for the optimized signal.
4. Open the antennas at various angles and set receiver higher will enhance the transmission efficiency.
5. The product offers the AES 128-bit encryption to protect the wireless transmission. Anyway, please be ware of the intentional capture from third person.

Transmitter S-4914T

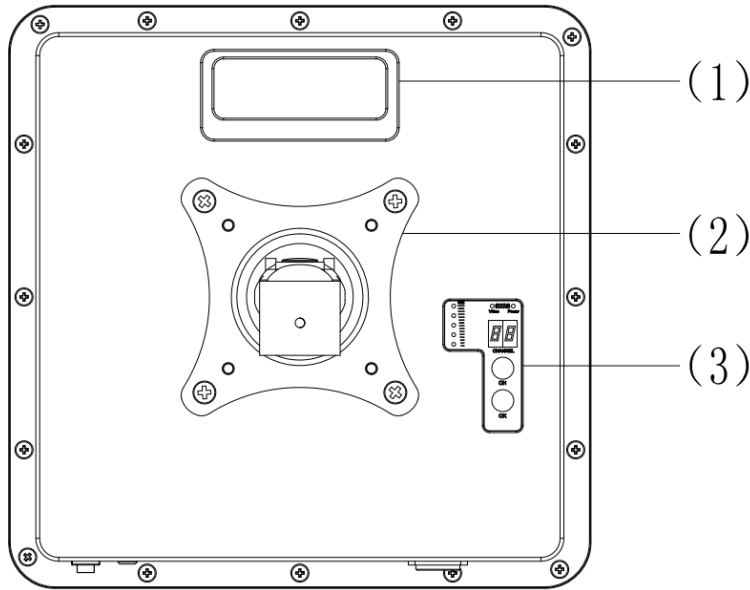


- (1) **Antenna**
- (2)、(3) **Installation thread :**
1/4"-20 thread. Use the package supplied articulating arm trestle to install the device to the camera.
- (4)、(5) **LED status indicators:**
Including Power and Video Signal indicators
- (6) **Wireless frequency dial switch**
Set frequency range from 0~9, in total 10 channels
- (7) **SDI in:** 3G/HD/SD-SDI input (BNC connector)
- (8) **HDMI in:** HDMI input (HDMI-A type connector)
- (9) **On/Off:** Switch the power on/off
- (10) **DC in:** Support DC 6.5-17V voltage input, 5.5mm/2.1mm. Outside: negative, Inside: positive
- (11) **Battery Plate:** Various DV battery plate optional. See details in "Optional Battery Plate"

The description of LED status indicator

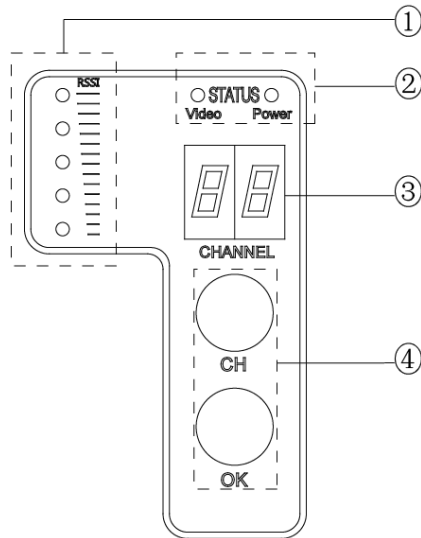
Device	Indicators	Status	Description
S-4914T transmitter	Power	Constant On	Power connected and switched on
		Off	Power disconnected or switched off
	Video	Constant On	Network is connected, and there is recognizable video signal input
		Off	Network connection failed and there is no recognizable video signal input

Receiver S-4990



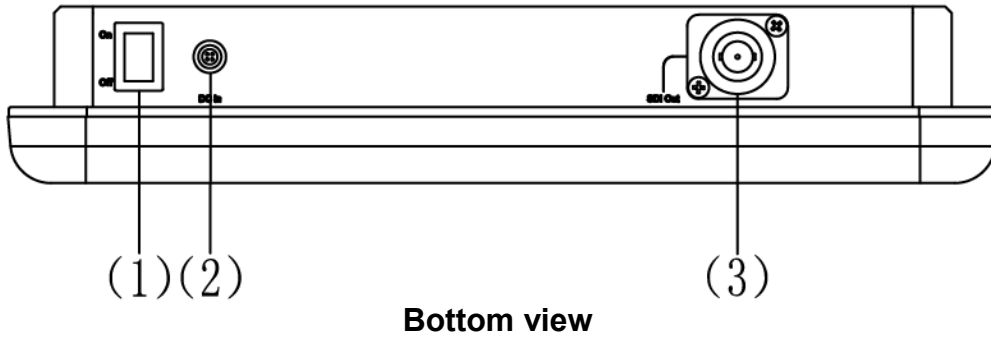
Rear view

- (1) **Handle**
- (2) **VESA bracket**
- (3) **Control area:**
 - ① RSSI: Receiving signal LED indicator
 - ② STATUS: Video signal and power status indicator
 - ③ CHANNEL: Digital display frequency channel
 - ④ Button: CH button: Selecting “0-9” 10 channels;
OK button: Confirming selected channel



The description of LED status indicator

Device	Indicators	Status	Description
S-4990 receiver	Power	Constant On	Power connected and switched on
		Off	Power disconnected or switched off
	Video	Constant On	Network connected, and there is recognizable video signal output
		Off	Network connection failed and there is no recognizable video signal output
	RSSI	0~1 LEDs light	The wireless network connection is weak, and the video noise is visible
		2~3 LEDs light	The wireless network connection is general, and the video quality is good
4~5 LEDs light		The wireless network connection is strong, and the video quality is very good	

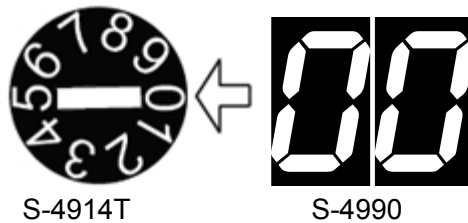


- (1) **On/Off** : Switch the power On/Off
- (2) **DC in** : Support DC 7-36V voltage input, 4-pin lockable LEMO connector
- (3) **SDI Out** : SDI output (BNC connector)

Frequency Dial Switch

1. Using ONE set of devices under the same environment

Dial the frequency switch of both transmitter and receiver to the same channel (transmitter dial number same to receiver digital display number), the default channel number is “0”:



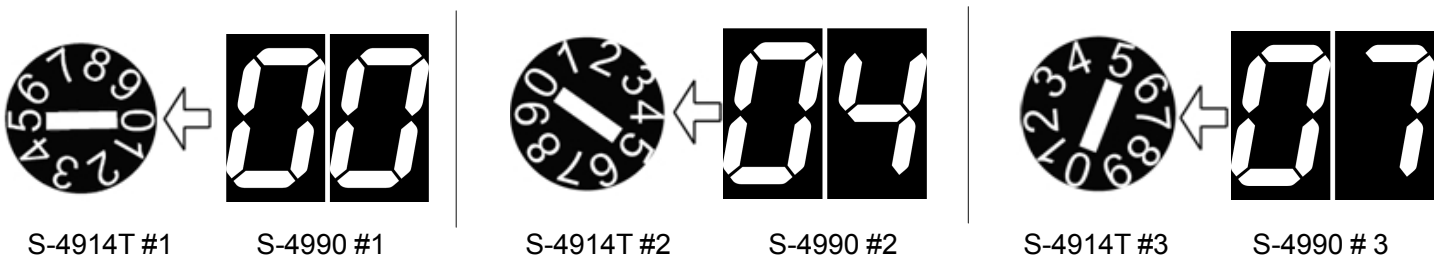
2. Using TWO sets of devices under the same environment

It is suggested that set the dial switch of the first set to channel “0” and the second set to channel “5”



3. Using THREE sets of devices under the same environment

It is suggested that set the dial switch of the first set to channel “0”, the second set to channel “4” and the third set to channel “7”:



- Note: 1. Please don't use more than 3 sets of devices under the same environment to avoid interference.
- 2. To use multicast, just set several receivers at the same frequency channel as the one transmitter.

The description of frequency channel

Frequency channel	“0”	“1”	“2”	“3”	“4”	“5”	“6”	“7”	“8”	“9”
Real frequency (MHz)	5550	5590	5630	5670	5150	5190	5230	5270	5310	5510

Note: If the on using frequency channel has been interfered, please select other frequency channels according to the above table to avoid interference.

Build connection

- (1) Connect the SDI or HDMI video source with the “SDI IN” / “HDMI IN” port of S-4914T transmitter.
- (2) Connect the “SDI OUT” / “HDMI OUT” port of S-4990 receiver with monitor or other receiving devices.
- (3) Dial the S-4914T and S-4900 to the same frequency channel.
- (4) Power S-4914T and S-4990, they will automatically search the network, the S-4990 output video signal OSD displayed as Fig1.
- (5) The network will be built after 10-20 seconds, the “RSSI” of receiver indicates the wireless network connection status.
- (6) When S-4990 detect the recognizable video signal, “Video” indicator will light and OSD will disappear

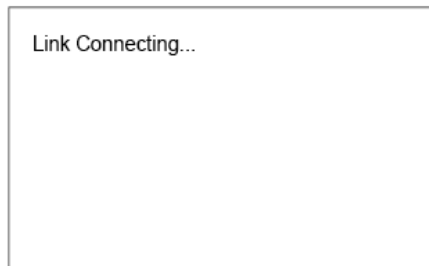


Fig1

Remark: S-4914T support SDI input and HDMI input, and it will automatically detect the connected signal input. If both SDI and HDMI are connected, S-4914T will give priority to transmit SDI signal.

Optional battery plate

S-4914T battery plate choice

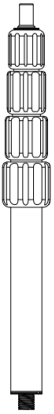
S-4914T is equipped with DV battery plate to be powered by standard DV batteries. There're following different types of DV batteries for choice:

Plate type	Compatible battery	Recommended SWIT battery
F	Sony L series NP-F770/970	S-8972, S-8970, S-8770
U	Sony BP-U60/30	S-8U93, S-8U63
D	Panasonic CGA CGA-D54S/D28S Panasonic VW-VBD58	S-8D62, S-8D58
B	Panasonic VW-VBG6	S-8BG6
J	JVC BN-V428	S-8428
V	JVC BN-VF823	S-8823
I	JVC SSL-JVC50	S-8I50
C	Canon BP-930/945/970G	S-8945, S-8845
E	Canon DSLR battery LP-E6	S-8PE6

Note: The battery plates are fixed on S-4914T at factory, please specify the suitable plate type before purchase.

Accessory

1. Supporting carbon fiber monopod



Installation instruction

- 1、 Snap the monopod installing module on the carrying case mounting block, and screw tightly, see Fig 1.
- 2、 Insert the monopod into the installing module, and clockwise screw tightly, see Fig 2..

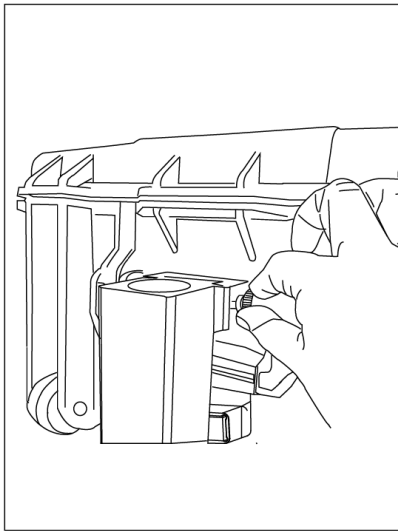


Fig 1

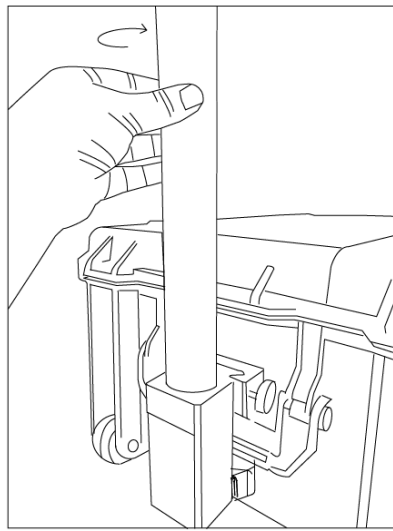
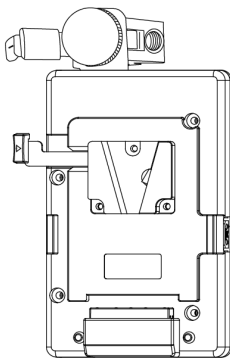


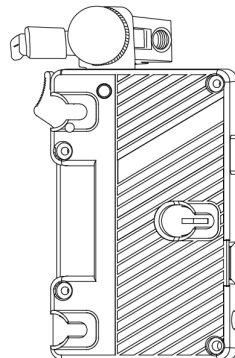
Fig 2

Note: The above accessory only included in luxury package.

2. Battery plate with Clamp installation



S-7200S



S-7200A

Trouble shooting

If the receiver failed to output video correctly, the possible causes are as below, please find the solution from following chart:

The receiving video	Possible causes	Solution
No display	No power	Check power connection and switch on the transmitter and receiver
	The antennas are not installed properly and screwed tightly	Install the antennas properly and screw tightly of both transmitter and receiver
	Bad connection of video cable	Check video cable connection of both transmitter and receiver
	Video format is not supported	Check the format of video source. (See the supported video formats at Specifications.)
Video quality is poor	Bad connection of video cable	Check video cable connection and if possible, change to better quality cables
	The wireless transmission is disturbed by environment, such as other electronic devices in the same location.	Wait for one minute or reboot both the transmitter and receiver
	The transmission distance is out of effective range or being interfered by obstacles.	Try the wireless transmission at a closer distance or clean out the obstacles

Specification

Model	Transmitter (S-4914T)		Receiver (S-4990)
Input	3G/HD/SD-SDI×1、HDMI×1		/
Output	/		3G/HD/SD-SDI×1
SDI Format	SMPTE-425M	1080p (60 / 59.94 / 50)	
	SMPTE-RP211	1080psf (30 / 29.97 / 25 / 24 / 23.98)	
	SMPTE-274M	1080p (30 / 29.97 / 25 / 24 / 23.98)	
		1080i (60 / 59.94 / 50)	
	SMPTE-296M	720p (60 / 59.94 / 50)	
	SMPTE-125M	480i (59.94)	
ITU-R BT.656	576i (50)		
HDMI Format	480i / 576i / 1080i (60 / 59.94 / 50) / 720p (60 / 59.94 / 50) / 1080p (60 / 59.94 / 50 / 30 / 29.97 / 25 / 24 / 23.98)		/
Wireless frequency	5.1~5.9GHz		
Radio module	OFDM 16QAM		
Max transmission distance	Approx 1000m (Line of sight)		
Latency	≤1 millisecond		
Power consumption	≤6.5W		≤7W
Radio power	Max 63mW		/
Input voltage	DC/Battery: 6.5~17V		DC/Battery: 7-36V
Working environment	Temperature: 0°C~+40°C		
Dimension	71*123*37 (mm) (exclude antenna)	305*305*58.5(mm)(exclude VESA bracket)	
Net weight	300g (include antenna)	2.38Kg (include VESA bracket)	

SWIT®